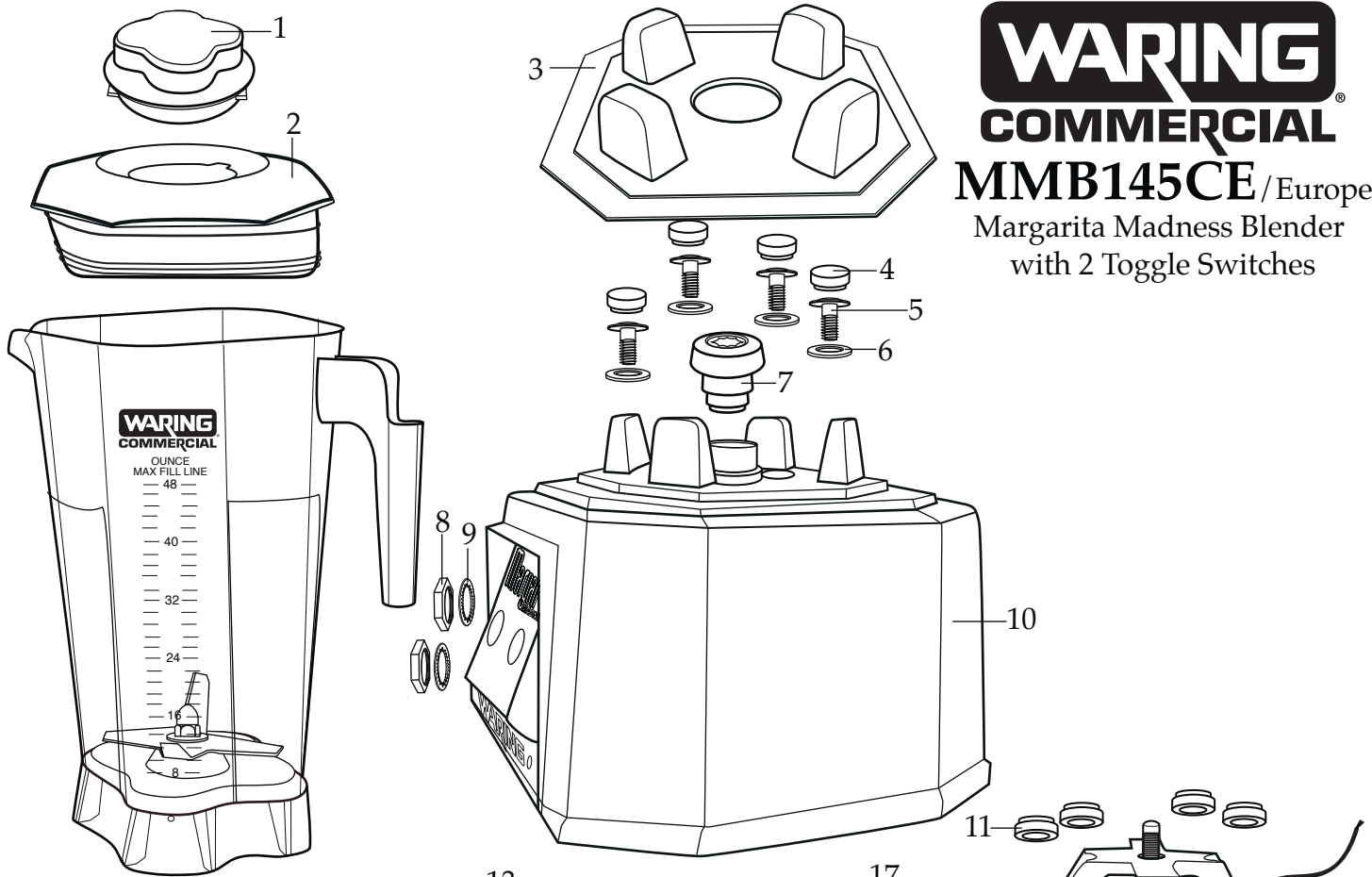


WARING COMMERCIAL[®]

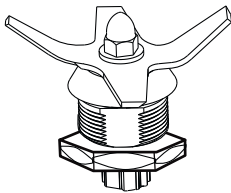
MMB145CE / Europe

Margarita Madness Blender
with 2 Toggle Switches



030855 Jar ONLY

030856 Jar with Blending Assembly



030857 Blending Assembly ONLY
(with hex nut and washer)

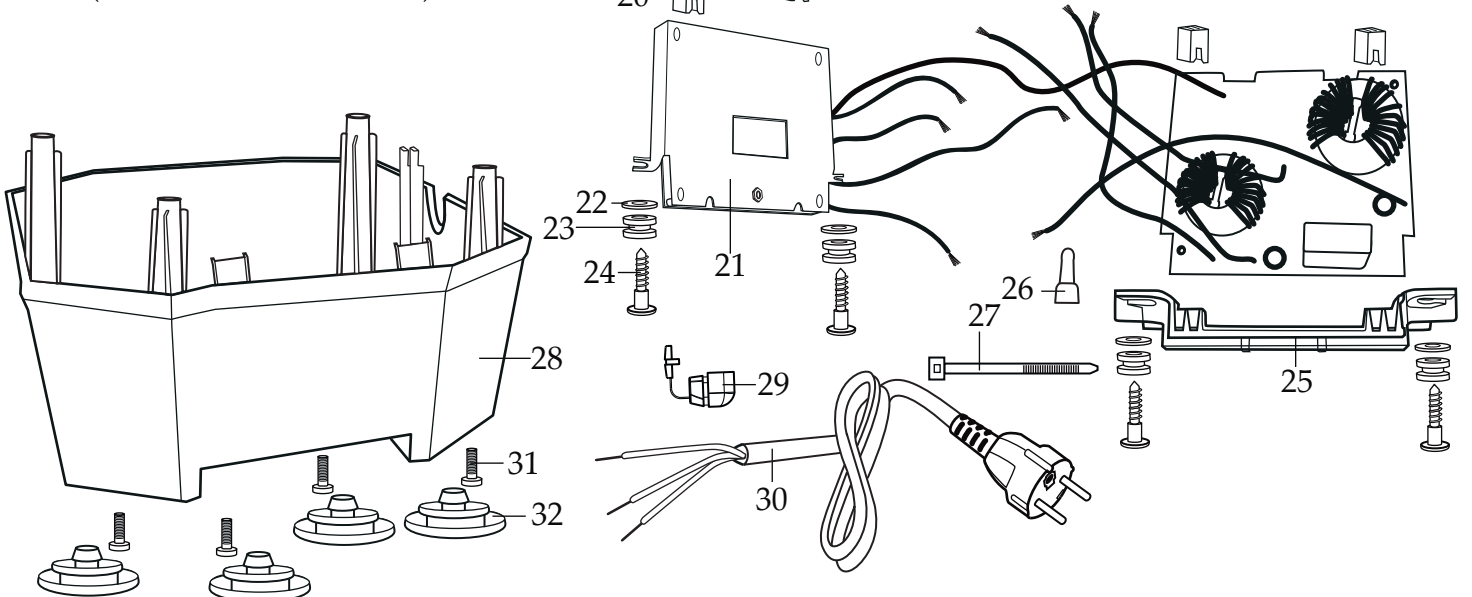
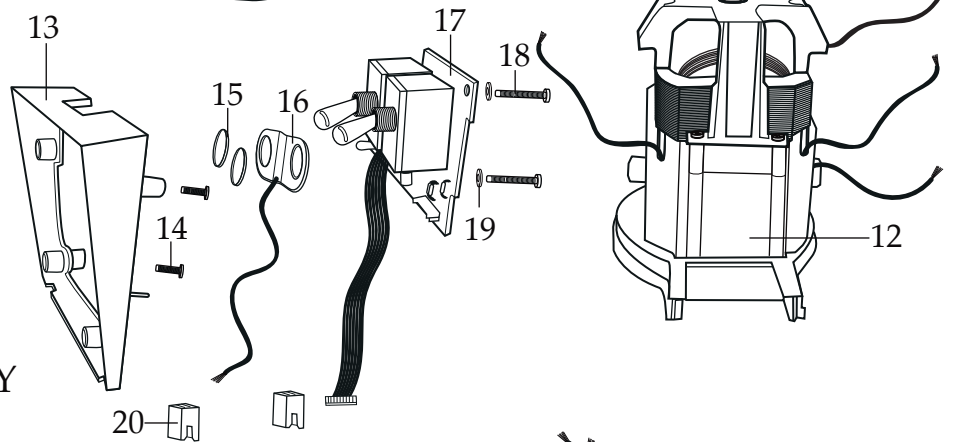


Illustration #	Part #	Description
1	030853	Center Lid
2	030854	Outer Lid
3	030858	Jar Pad
4	030859	Hole Plug (4 required)
5	030860	Shoulder Screw (4 required)
6	030861	Washer (4 required)
7	034349 032496	Drive Coupling (<i>current production</i>) Drive Coupling
8	030864	Hex Nut (2 required)
9	030865	Lock Washer (2 required)
10	034350 030863	Top Housing with Nameplate (<i>current production</i>) Top Housing with Nameplates
11	030866	Motor Seal (4 required)
12	032506	Motor
13	030868W	Switch Bracket
14	030869	Screw (2 required)
15	030870	Washer (2 required)
16	030871	Grounding Bracket with Lead
17	030872	Switch Panel
18	030873	Screw (2 required)
19	031132	Washer (2 required)
20	031133	PCB Cushion (2 required for Main Board & 2 required for PCB)
21	032499	Main PCB Board Assembly
22	030876	Washer (2 required for Main Board & 2 required for PCB)
23	031130	Rubber Bushing (2 required for Main Board & 2 required for PCB)
24	030877	Screw (2 required for Main Board & 2 required for PCB)
25	032498	PCB Bracket
26	012409 019123	Small Crimp Connector (4 required) Large Crimp Connector (2 required)
27	013731	Cable Tie (4 required)
28	030880	Bottom Housing
29	030879	Strain Relief

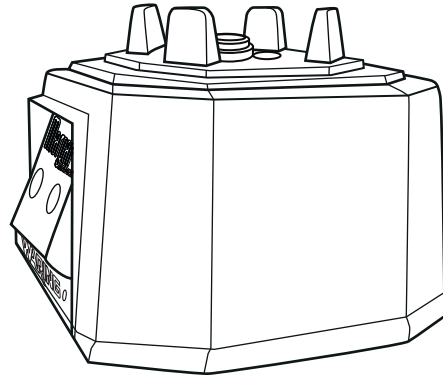
Catalog/Model

MMB145CE

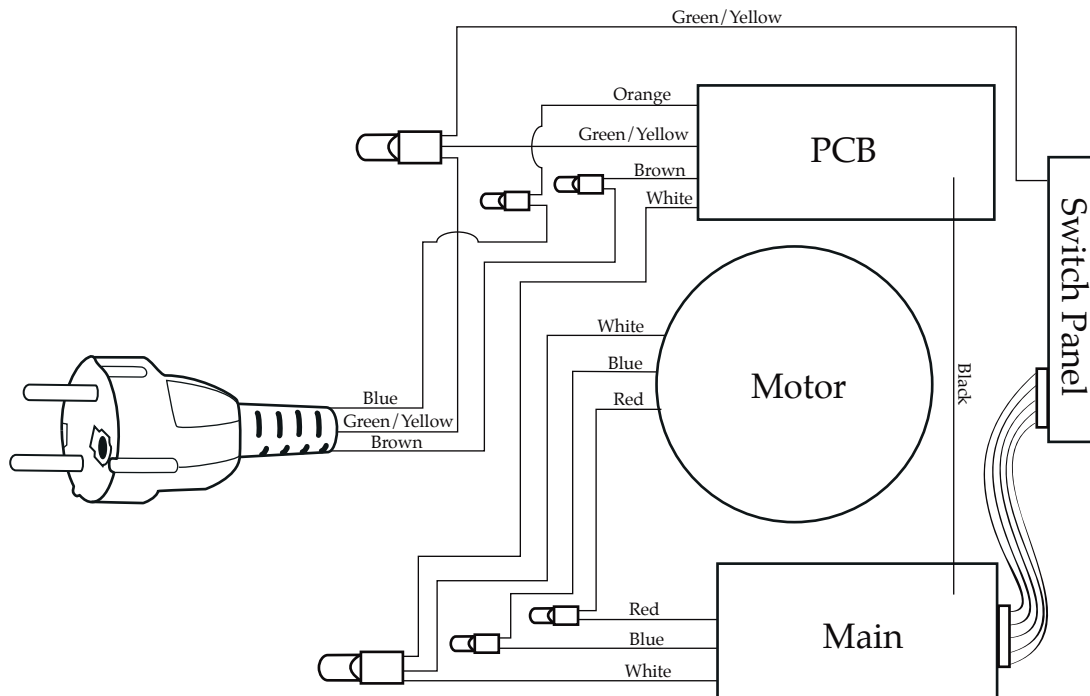
Waring Factory Service Center
314 Ella T. Grasso Ave.
Torrington, CT 06790
Tele. 1-800-269-6640
Fax 860-496-9017
www.waringcommercialproducts.com

Illustration # Part # Description

30	033824	Cord
31	030881	Screw (4 required)
32	030882	Foot (4 required)



030863
Top Housing with Nameplate



Wiring Diagram